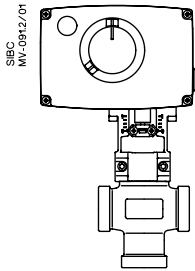
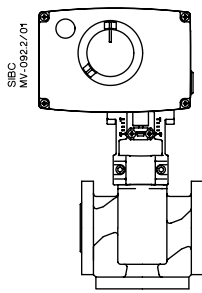


082R9097

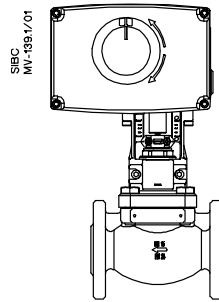
082R9097



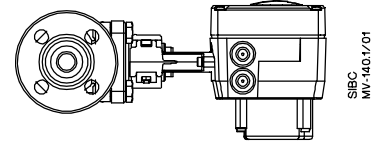
AMV 25, AMV 35 +
VRB 3, VRG 3 (DN 15 - 50)



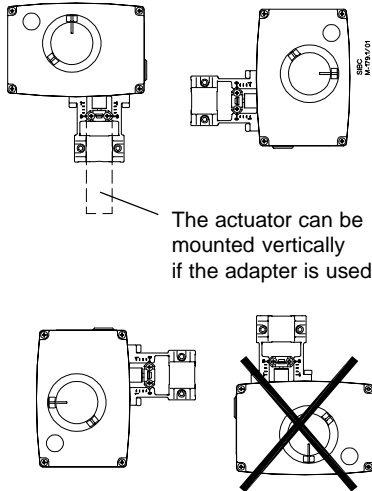
AMV 25, AMV 35 +
VF 2, VF 3 (DN 15 - 50)
VL 2, VL 3 (DN 15 - 50)



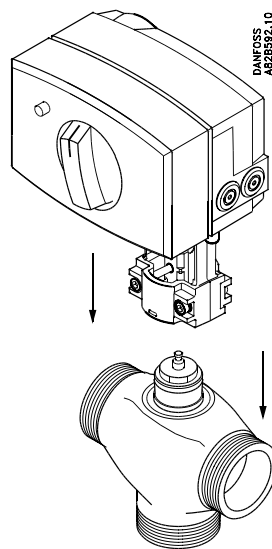
AMV 25, AMV 35 +
VFS 2 (DN 15 - 50)
VEFS 2 (DN 25 - 50)



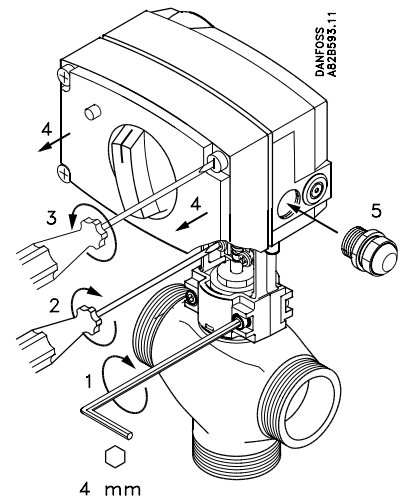
AMV 25, AMV 35 +
VFS 2 (DN 15 - 50) - 200 °C
VEFS 2 (DN 25 - 50) - 200 °C



1



2



3

Blue, Blau, Bia, Bleu, Azzuro, Azul, Niebieski
Red, Rot, Rød, Rouge, Rosso, Vermelho, Czerwony

INST.

N-3=B	VFS	+
N-1=A	VEFS	-
N-3=B	VRB	-
N-1=A	VRG	+
	VF	-
	VL	+